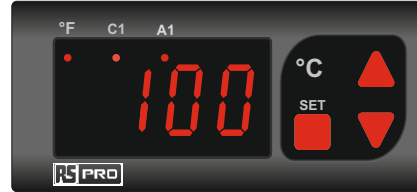


Instruction Manual
RS Pro 35 x 77mm ON/OFF Thermostat, NTC, Two Outputs
Stock Number: 124-1055, 124-1056



Please read this document carefully before using this product. The guarantee will be invalidated if the device is damaged by not following instructions detailed in the manual. The company shall not be responsible for any damage or losses however caused, which may be experienced as a result of the installation or use of this product.

- 35x77mm size.
- On-Off control.
- Relay output for cooling or heating control.
- Alarm Relay
- Single NTC probe input
- Range -60 to 150°C
- Ideal for industrial or commercial applications
- Probe failure setting, output status can be set to ON, OFF or pulse.
- Sensor input offset setting.
- Selectable heating or cooling control
- Selectable independent, deviation and band alarm types.
- 0000 or 000.0 units display.
- Temperature units °C or °F.
- CE marked.



Part Code	Supply Voltage	Number Outputs
124-1055	24V ac/dc	2
124-1056	230V ac	2



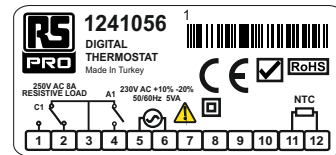
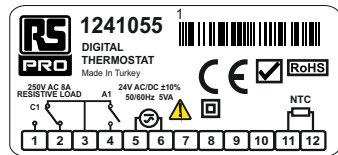
RoHS Compliant

CONNECTION DIAGRAM



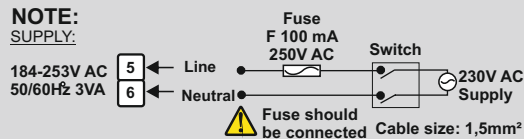
1241055 & 1241056 is intended for installation within control panels. Make sure that the device is used only for intended purpose. The shielding must be grounded on the instrument side. During an installation, all of the cables that are connected to the device must be free of electrical power. The device must be protected against inadmissible humidity, vibrations, severe soiling. Make sure that the operation temperature is not exceeded.

All input and output lines that are not connected to the supply network must be laid out as shielded and twisted cables. These cables should not be close to the power cables or components. The installation and electrical connections must be carried out by a qualified staff and must be according to the relevant locally applicable regulations.



Equipment is protected throughout by **DOUBLE INSULATION**

Holding screw 0.4-0.5Nm.



- Note:**
- 1) Mains supply cords shall meet the requirements of IEC 60227 or IEC 60245.
 - 2) In accordance with the safety regulations, the power supply switch shall bring the identification of the relevant instrument and it should be easily accessible by the operator.

TECHNICAL SPECIFICATIONS

INPUT		
Input Type	Scale Range	Accuracy
NTC Sensor Resistance	EN 60751	-60.0...150.0 °C -76.0...302.0°F
Accuracy: ± 1% (for full scale) ± 1 Digit		
ENVIRONMENTAL CONDITIONS		
Ambient/Storage temperature	0 ... +50 / °C -25... +70°C (without icing)	
Relative Humidity	Max. humidity 80% for temperatures up to 31°C decreasing linearly to 50% relative humidity at 40°C.	
Protection Class	According to EN60529; Front panel: IP65 Rear panel : IP20	
Height	Max. 2000mm	



Do not use the device in locations subject to corrosive and flammable gasses.

ELECTRICAL CHARACTERISTICS

Supply	230V AC +%-10 -%20, 50/60Hz or 24V AC/DC ±%10
Power Consumption	Max. 5VA
Wiring	Power connector : 2.5mm ² screw-terminal, Signal connector : 1.5mm ² screw-terminal connection.
Line Resistance	Max. 100ohm
Data Retention	EEPROM (Min. 10 years)
EMC	EN 61326-1: 2013 (Performance criterion B is satisfied for EN 61000-4-3)
Safety Requirements	EN 61010-1: 2010 (Pollution degree 2, overvoltage category II)
Indicator	4 digits, 12.5mm, 7 segment red LED

OUTPUT

C1 Output	250V AC, 8A (for resistive load), NO and NC control output.
A1 Output	250V AC, 8A (for resistive load), NO control output.
Life Expectancy for Relay	30.000.000 Switching for no-load operation; 300.000 switching for 8A resistive load at 250VAC.

CONTROL

Control Type	Single-setpoint and alarm control.
Control Algorithm	On-Off Control.
A/D Converter	12 bit resolution, 100ms sampling time.
Hysteresis	Adjustable between 0.1 and 20.0°C/F.

HOUSING

Housing Type	Suitable for flush-panel mounting according to DIN 43 700.
Dimensions	H35xW77xD61mm
Weight	Approx. 215g (After packing)
Enclosure Materials	Self extinguishing plastics



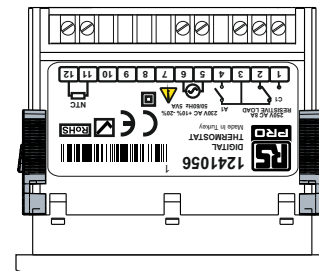
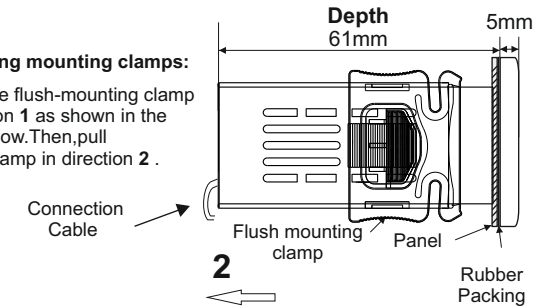
While cleaning the device, solvents (thinner, gasoline, acid etc.) or corrosive materials must not be used.

Dimensions



For removing mounting clamps:

- Push the flush-mounting clamp in direction 1 as shown in the figure below. Then, pull out the clamp in direction 2.



Flush mounting clamp

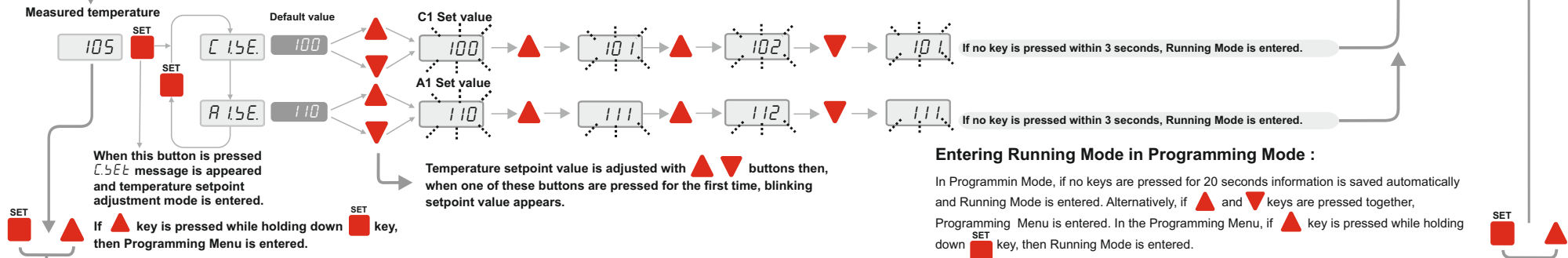
Panel cut-out 71,5mm

29,5mm

- Note:**
- 1) Panel thickness should be maximum 7mm.
 - 2) If there is not 60mm free space at the back side of the device, it would be difficult to remove it from the panel.

Programming Diagram

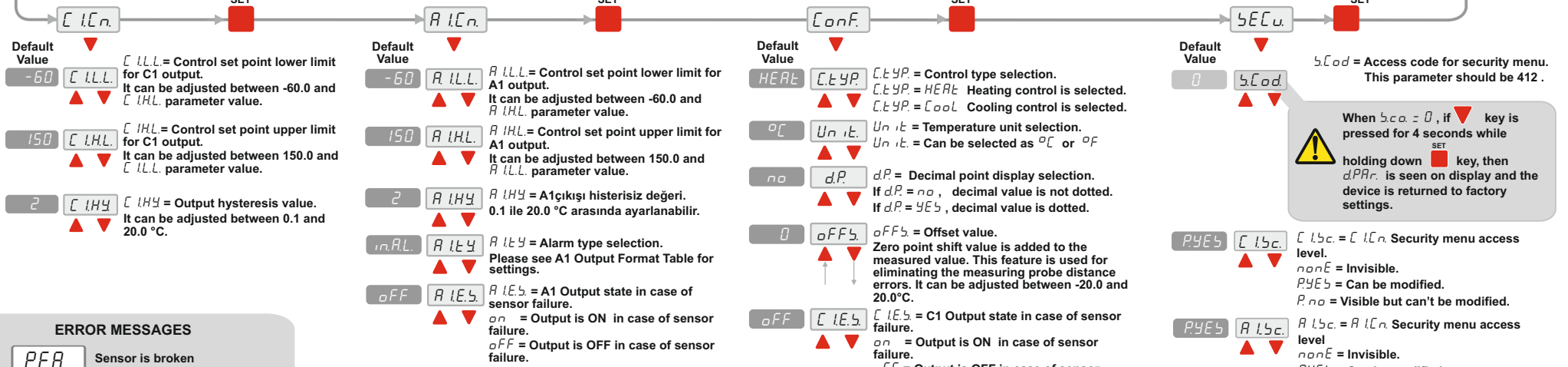
Running Mode



Entering Running Mode in Programming Mode :

In Programmin Mode, if no keys are pressed for 20 seconds information is saved automatically and Running Mode is entered. Alternatively, if **▲** and **▼** keys are pressed together, Programming Menu is entered. In the Programming Menu, if **▲** key is pressed while holding down **SET** key, then Running Mode is entered.

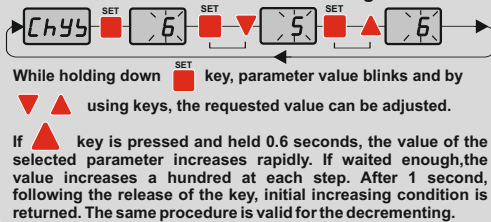
Programming Menu



ERROR MESSAGES

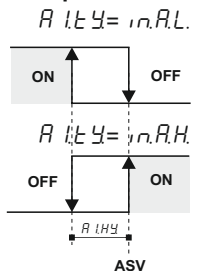
- PFA** Sensor is broken
- Temperature value is higher than the scale
- Temperature value is lower than the scale

Modification Of Parameter Diagram



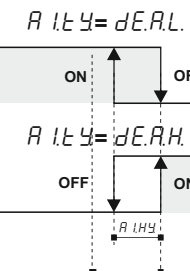
A1 OUTPUT FORMATS

Independent Alarm



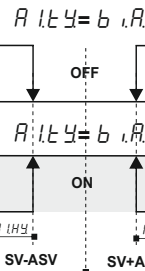
(ASV Min. = Beginning of Scale
ASV Max. = End of Scale)

Deviation Alarm



(ASV Min. = -300, ASV Max. = +300)

Band Alarm



SV = C1 output setpoint ASV = A1 output setpoint
(ASV Min. = 0, ASV Max. = +300)